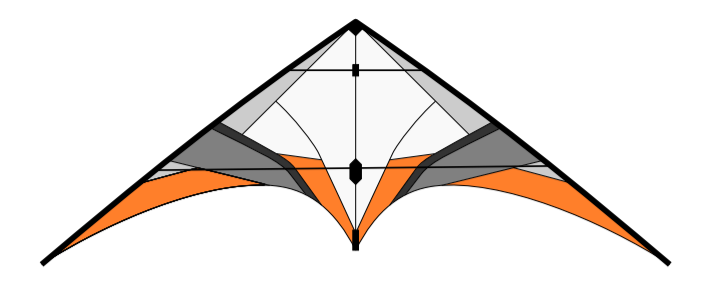


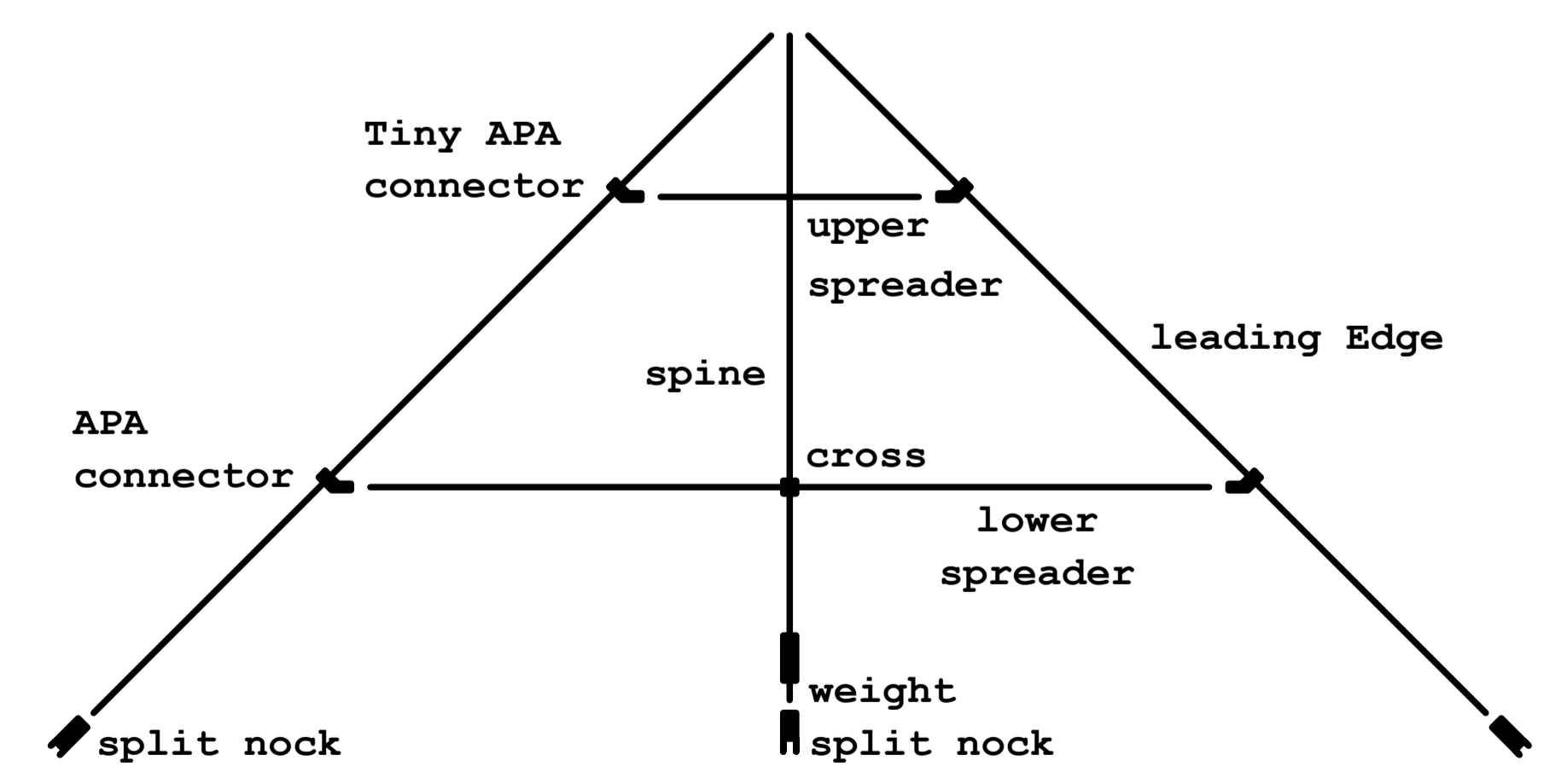
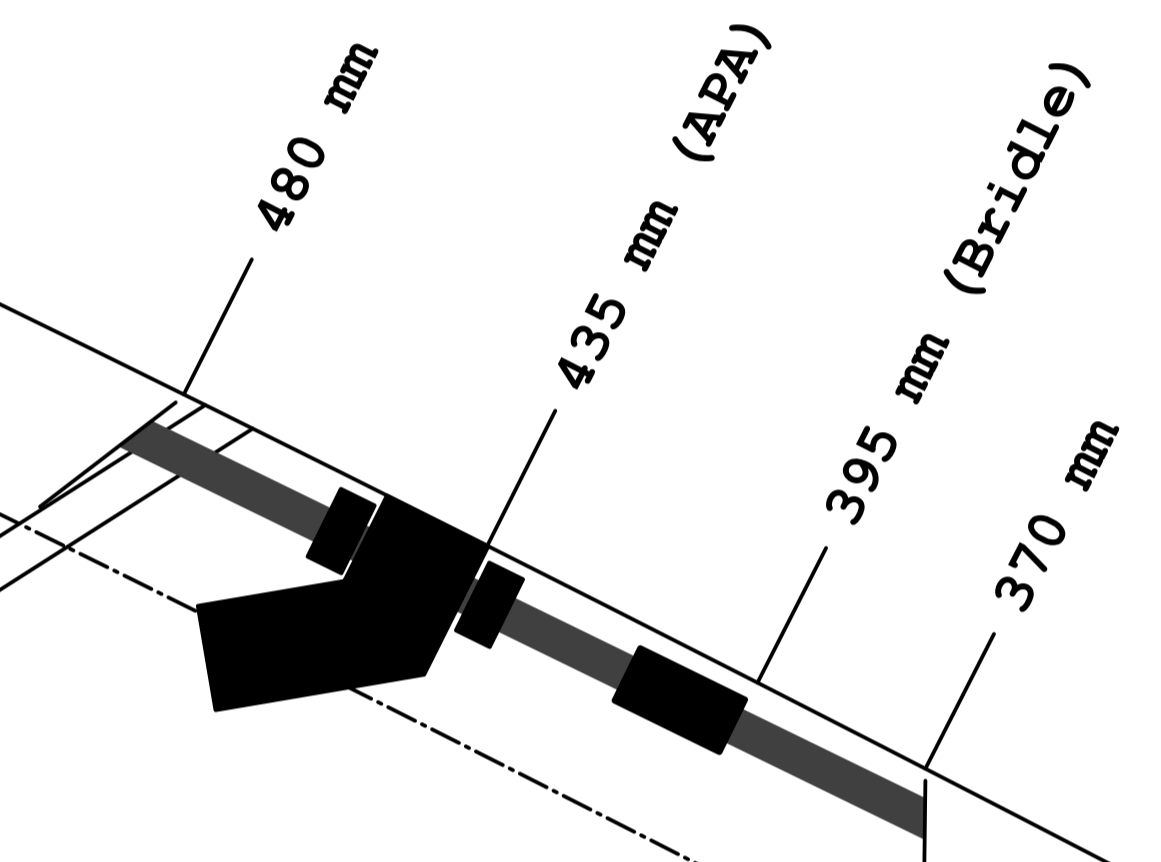
End Of Line (EOL) Mini 2016

Designed by Birger Garbe / Ulzburger Kites

Standard



Leading edge	5mm (Exel)	1250 mm
Upper spreader	5mm (Exel)	425 mm
Lower spreader	5mm (Exel)	1210 mm
Spine	5mm (Exel)	~705 mm
Weight		~10 gr
Inner Standoff	3mm (carbon)	230 mm (rod to sail)
Bridle Upper		420 mm
Outer		380 mm
Inner		490 mm



HQ Spreader Connector "Bone" 5mm 255 mm ← Spreader & Cross & Standoffs



100mm x 100mm